

RAGGIE®



more than just

RG-BC 220W

- More diverse application scenarios
- Simple design embodies modern style
- Better energy generation performance
- The first choice for green lifestyle



5-year Warranty for
Materials and Processing



5-year Warranty for Extra
Linear Power Output



RG-BC 220W

21.6%
MAX MODULE
EFFICIENCY

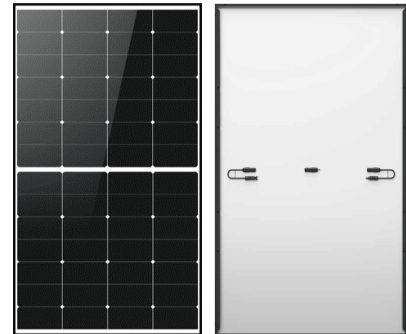
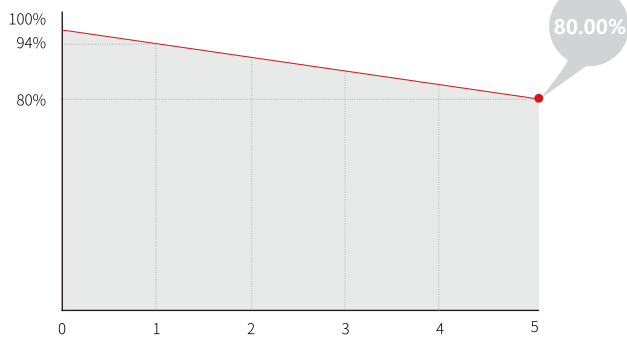
0~3%
POWER
TOLERANCE

<6%
FIRST YEAR
POWER DEGRADATION

3.5%
YEAR 2-5
POWER DEGRADATION

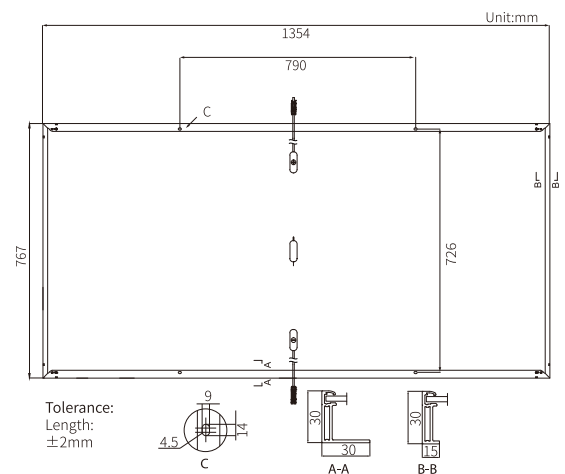
Additional Value

5-Year Power Warranty



Mechanical Parameters

Cell Orientation	56 (4×14)
Junction Box	IP68
Output Cable	4mm ² , ±1200mm length can be customized
Glass	Single glass, 3.2mm coated tempered glass
Frame	Anodized aluminum alloy frame
Weight	12.1kg
Dimension	1354×767×30mm
Packaging	34pcs per pallet / 608pcs per 20' GP / 1344pcs per 40' HC



Electrical Characteristics

STC : AM1.5 1000W/m² 25°C

NOCT : AM1.5 800W/m² 20°C 1m/s

Test uncertainty for Pmax: ±3%

Module Type	LR5-28HTH-215M		LR5-28HTH-220M		LR5-28HTH-225M	
	STC	NOCT	STC	NOCT	STC	NOCT
Testing Condition						
Maximum Power (Pmax/W)	215	160	220	164	225	168
Open Circuit Voltage (Voc/V)	20.00	18.78	20.25	19.01	20.50	19.24
Short Circuit Current (Isc/A)	13.80	11.24	13.92	11.34	14.10	11.39
Voltage at Maximum Power (Vmp/V)	16.82	15.35	17.03	15.54	17.24	15.73
Current at Maximum Power (Imp/A)	12.79	10.46	12.92	10.57	13.06	10.69
Module Efficiency(%)	20.7		21.2		21.6	

Operating Parameters

Operational Temperature	-40°C ~ +85°C
Power Output Tolerance	0 ~ 3%
Maximum System Voltage	DC1000V (IEC/UL)
Maximum Series Fuse Rating	22A
Nominal Operating Cell Temperature	45±2°C
Protection Class	Class II
Fire Rating	UL Type 1 or 2 IEC Class C

Temperature Ratings (STC)

Temperature Coefficient of Isc	+0.050%/°C
Temperature Coefficient of Voc	-0.230%/°C
Temperature Coefficient of Pmax	-0.280%/°C