

# RAGGIE®



## RG-BC 140W

### Adapt to distributed projects

- ◆ Minimalist and modern , with a unique style
- ◆ Better power generation performance throughout the entire life cycle
- ◆ High quality ensures long-term reliability of components

15

15 year product material and process warranty

25

25 year warranty for excess linear power output

### A sound quality management system and product certification

IEC 61215, IEC 61730, UL 61730

ISO9001:2015.ISO Quality management system

ISO14001:2015:150 Environmental management system

ISO45001:2018: Occupational health and safety system

IEC62941:Quality assurance guidelines for the design and type testing of photovoltaic modules

# RG-BC 140W

**22.3%**

Maximum conversion efficiency

**0~3%**

Power tolerance

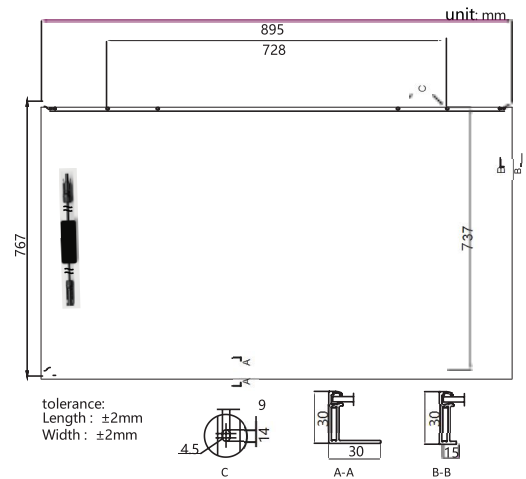
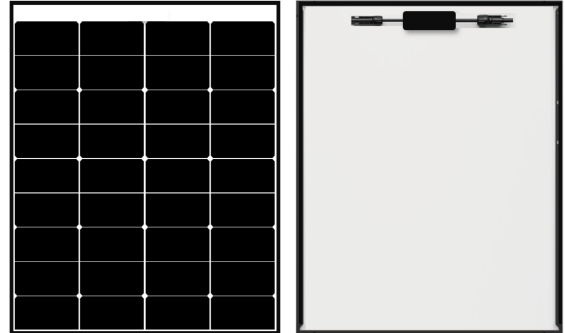
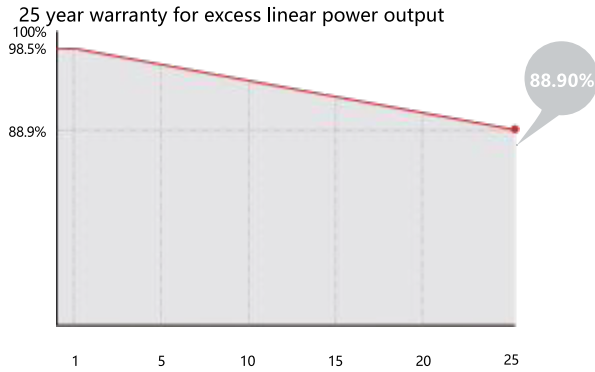
**<1.5%**

Power attenuation in the first year

**0.40%**

Annual power attenuation for 2-25 years

## Excess returns



## Mechanical parameters

Battery arrangement	36 (2×18)
Junction box	Split junction box, IP68
Output line	4mm <sup>2</sup> , ± 1200mm Customizable wire length
glass	Single glass, 3.2mm coated tempered glass
frame	Composite material border
Component weight	6.74kg
Component dimensions	895×767×30mm
Packaging information	36 pieces/pallet 216 pieces/20 foot flat cabinet 936 pieces/40 foot high cabinet 1008 pieces/13.5 meter flatbed trucks 1224 pieces/17.5 meter flatbed trucks

\* The 17.5-meter vehicle is marked with a load of 30t. Due to inconsistent specifications, the specific loading quantity will be based on the actual arrival

## Electrical performance parameters

STC : AM1.5 1000W/m<sup>2</sup> 25°C    NOCT : AM1.5 800W/m<sup>2</sup> 20°C 1m/s    Maximum power test uncertainty: ± 3%

Component model	LR5-18HHTH-130M		LR5-18HHTH-140M		LR5-18HHTH-150M	
	STC	NOCT	STC	NOCT	STC	NOCT
Maximum power (P <sub>max</sub> /W)	130	97	140	105	150	112
Open circuit voltage (V <sub>oc</sub> /V)	23.62	21.97	26.35	22.35	27.15	24.8
Short circuit current (I <sub>sc</sub> /A)	6.8	5.84	7.07	6.21	7.82	6.42
Peak power voltage (V <sub>mp</sub> /V)	21.02	19.10	21.37	19.43	22.05	20.05
Peak power current (I <sub>mp</sub> /A)	6.18	5.08	6.55	5.4	6.8	5.58
Component efficiency (%)	21.2		21.8		22.3	

## Working parameters

working temperature	-40°C ~ +85°C
Power tolerance	0 ~ 3%
Maximum system voltage	DC1500V (IEC/UL)
Maximum rated current of fuse	25A
Nominal operating temperature	45±2°C
Safety protection level	Class II
Component fire rating	UL Type 1 or 2 IEC Class C

## Load capacity

Maximum static load on the front side	5400Pa
Maximum static load on the back	2400Pa
Through hail testing	Diameter 25mm, impact speed 23m/s

## Temperature coefficient (STC test)

Short circuit current (I <sub>sc</sub> ) temperature coefficient	+0.050%/°C
Open circuit voltage (V <sub>oc</sub> ) temperature coefficient	-0.230%/°C
Peak power (P <sub>max</sub> ) temperature coefficient	-0.290%/°C